

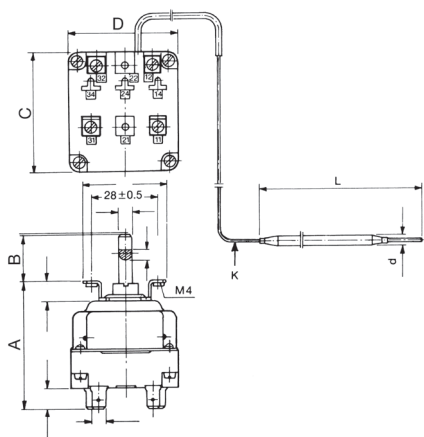
Description

Capillary type T-labled 150°C, breaking capacity 16A/400V

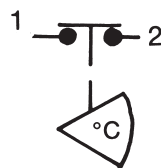


Technical specification

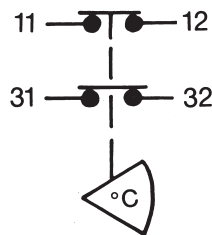
| Type | Temp. range | Bulb diameter D | Bulb length L | Capillary length K | Measurement A | Measurement B | Measurement C | Measurement D | Item number |
|----------------------|-------------|-----------------|---------------|--------------------|---------------|---------------|---------------|---------------|--------------|
| Single pole breaking | 30-90°C | 4 | 240 mm | 370 mm | 28 mm | 18 mm | 51,5 mm | 35 mm | 1160 127 401 |
| Two-pole breaking | 30-90°C | 6 | 130 mm | 400 mm | 53,5 mm | 19 mm | 50 mm | 46 mm | 1160 119 201 |
| Switching 3-pole | 30-90°C | 6 | 240 mm | 420 mm | 53,5 mm | 19 mm | 50 mm | 46 mm | 1160 047 501 |
| 4-pole breaking | 30-90°C | 6 | 130 mm | 800 mm | 53,5 mm | 23 mm | 50 mm | 60 mm | 1160 210 401 |
| Two-pole breaking | 0-50°C | 4 | 240 mm | 370 mm | 53,5 mm | 19 mm | 50 mm | 46 mm | 1160 160 501 |



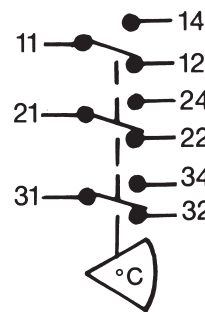
Wiring diagram



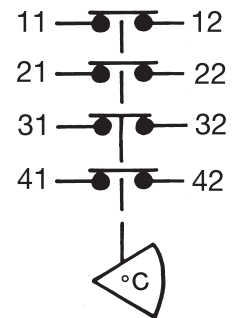
Single pole breaking



Two-pole breaking



Switching 3-pole



4-pole breaking